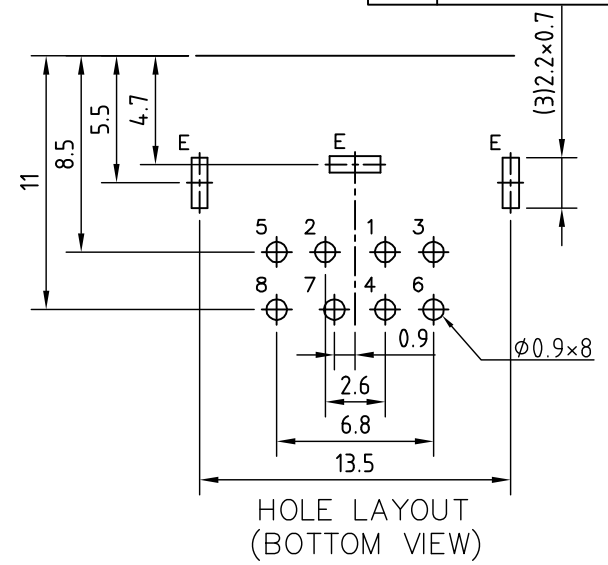
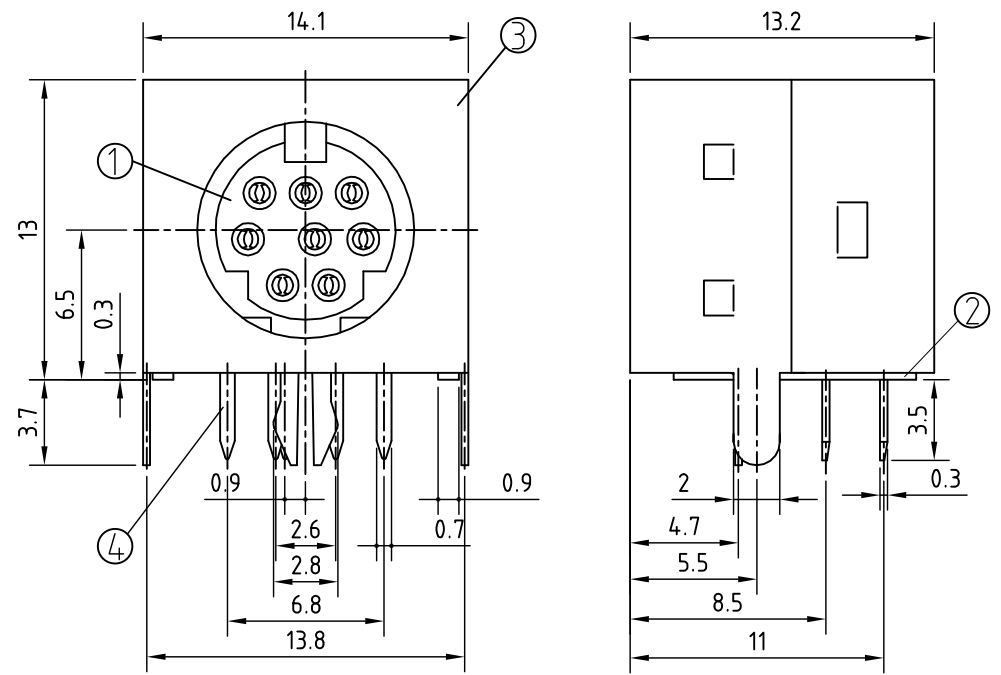


REV.	Description	Date
1	upgrade drawing	2012/11/15
2	add hole layout	2013/7/8



Specification:

1. CURRENT CARRYING CAPACITY
 - 1) AC : 100V 1A MAX.
 - 2) DC : 12V 2A MAX.
2. CONTACT RESISTANCE : 30m OHM MAX.
3. INSULATION RESISTANCE : 50M OHM MIN. AT DC 250V.
4. VOLTAGE WITHSTANCE : AC 250V 1 MINUTE.
5. INSERTION FORCE : 1 - 4.5KG.
6. WITHDRAWAL FORCE : 0.8 - 3KG.
7. THE OPERATING TEMPERATURE:-40°C~+85°C
8. THE LIFE CYCLES:1000 CYCLES
9. UNLESS OTHER SPECIFIC,TOLERANCE IS ±0.2mm.

RoHS

Contact Arrangement						
PIN No.	3	4	5	6	7	8
Hole Layout						

4	Contact terminal	PBSR	Silver plated
3	Earth terminal	Brass	Tin plated
2	Cover	PBT	
1	Body	PBT	
Item	Description	Material	Treat & Remark



Unicable Co., Ltd. 國陽電業有限公司
 5F., No. 111-33, Sec. 4, San Ho Road, San Chung City, Taiwan, R.O.C.
<http://www.unicable.com.tw> TEL:+886-2-2286-2122 FAX:+886-2-2286-1010

DATE	2016/10/7	PART NO.	UT-LS911-XP
DWN	GINA	REV.	2
CHK			
ITEM	Push Lock Mini Din Socket	UNIT	MM